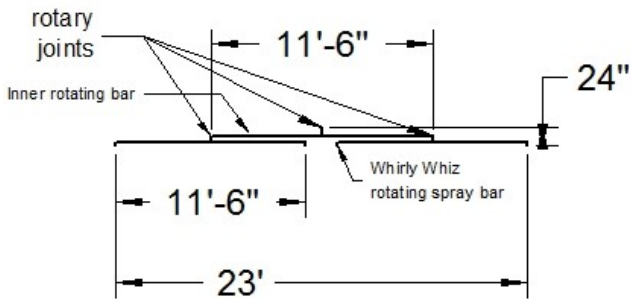
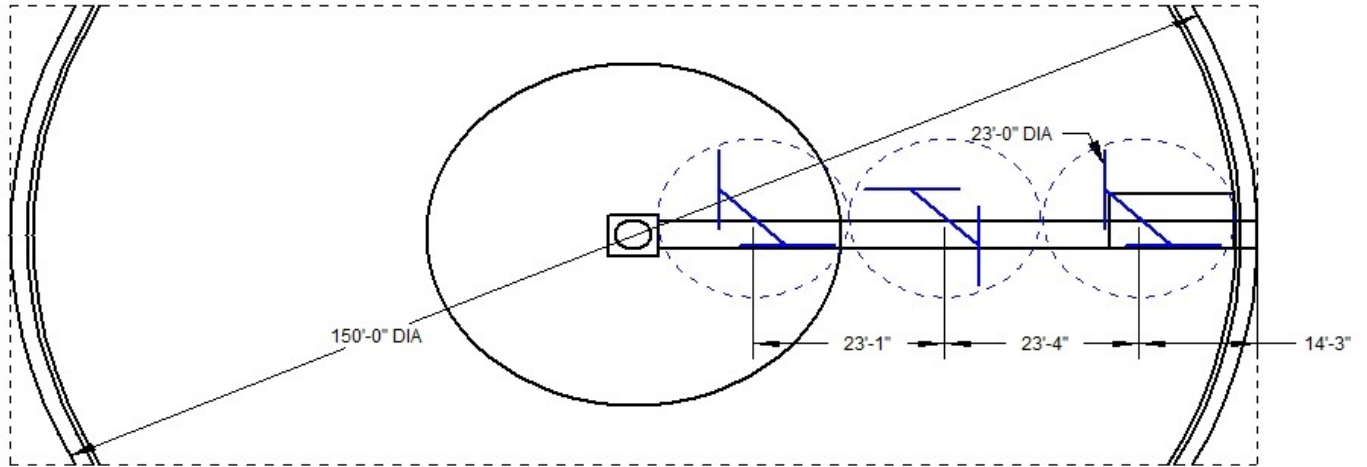


WeirWasher, ACS—Directional Dynamic Foam Control

Clarifier, Partial Foam Suppression system



Notes:

1. Eco-Blaster, BCS units, 1 ea. self propel and break up and suppress some of the nocardia, scum and other foreign material
2. Eco-Blaster, BCS inner rotating bar is graphite composite tubing
3. Eco-Blaster, BCS whirly whiz rotating bars are composite epoxy tubing
4. Rotational speed on inner bar is 4-8 rpm, whirly whiz bars 10-30 rpm
5. Nozzles will be solid stream and flat fan with no internal components

ECOBLASTER, BCS

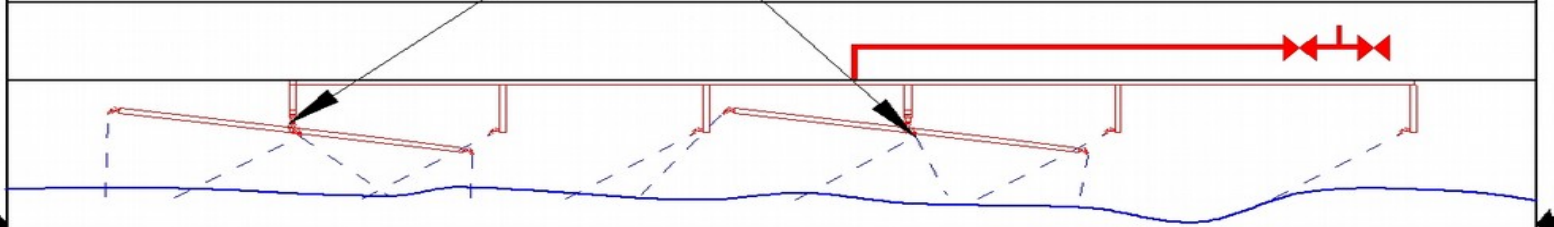
GILLTRADING.COM, INC.

DRAWN
Name B. Gill 6/6/06
APPROVED
Name B. Gill 6/6/06
SCALE

Description
EB, BCS FSA 2525 Clarifier suppression
SIZE
A
DWG NUMBER
WWR-0159
REV -
SHEET 1 OF 1

CONFIDENTIAL INFORMATION
THIS DRAWING & INFORMATION ARE SOLE PROPERTY OF GTC AND CANNOT BE REPRODUCED, USED OR DISSEMINATED W/O THE EXPRESSED PERMISSION OF GTC OR ITS REPRESENTATIVE.

Rotating Spray bars



Notes:

1. Directional foam spray re-entrains materials into the tank
2. floatable material is sprayed towards the scum beach regardless of location

WEIRWASHER, ACS

GillTrading.com, Inc.

DRAWN
Name B. Gill 4/11/16
REVIEWED
Name B. Gill 4/11/16
SCALE

Description
EB-FSA
Secondary Clarifier

SIZE
A
DWG NUMBER
WWR-1078
REV -
SHEET 1 OF 1

CONFIDENTIAL INFORMATION
THIS DRAWING & INFORMATION ARE SOLE PROPERTY OF GTC AND CANNOT BE REPRODUCED, USED OR DISSEMINATED W/O THE EXPRESSED PERMISSION OF GTC OR ITS REPRESENTATIVE.

WeirWasher, ACS – Directional Dynamic Foam Control



Gilltrading
Dynamic Innovation

Eco-Blaster Rover

WeirWasher™
AUTOMATED CLEANING SYSTEMS

Belt Blaster Weir Shield

